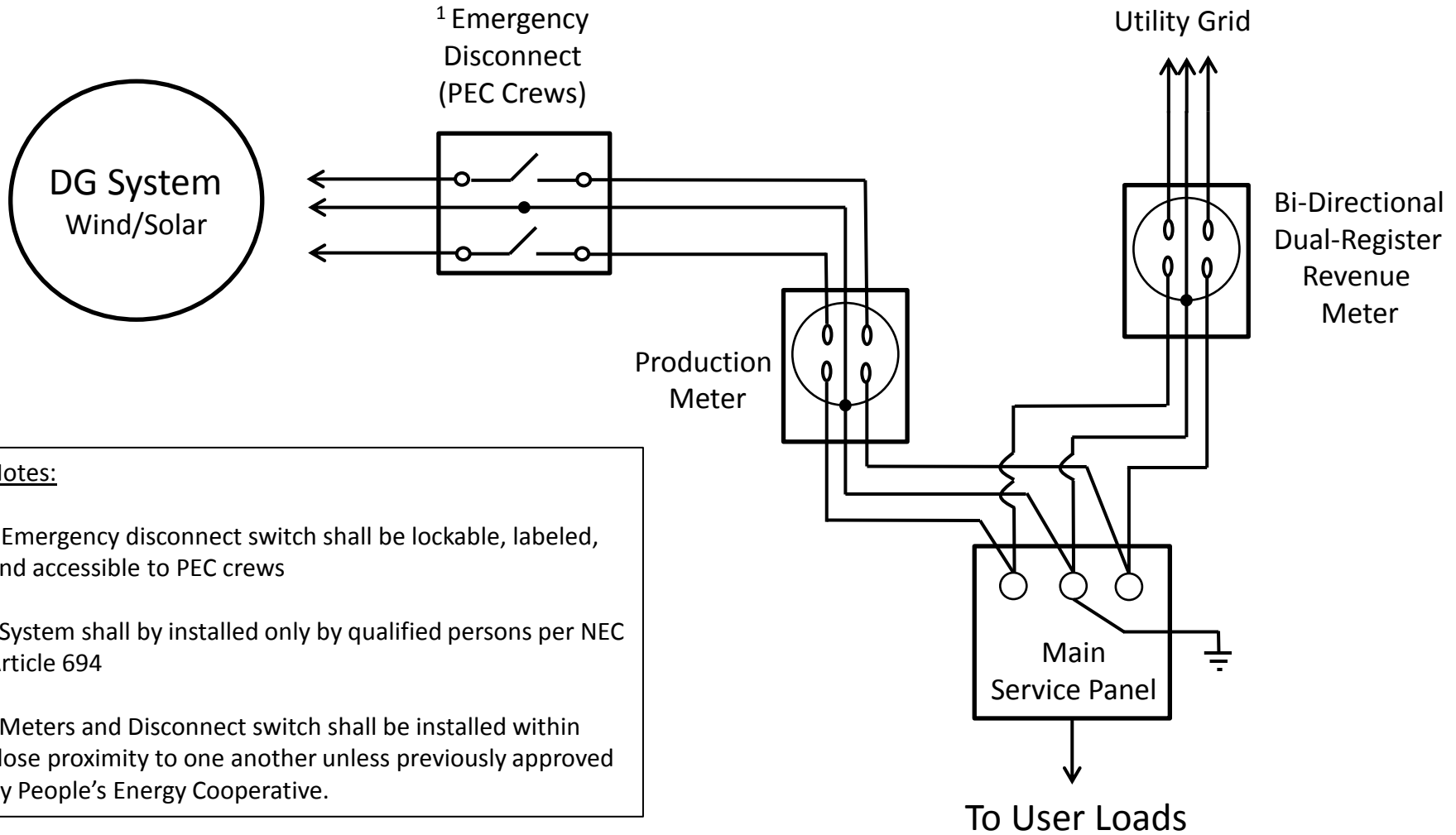




People's Energy Cooperative

Your Touchstone Energy® Cooperative 

Distributed Generation Metering Diagram (Single Phase)



Notes:

¹ Emergency disconnect switch shall be lockable, labeled, and accessible to PEC crews

² System shall be installed only by qualified persons per NEC Article 694

³ Meters and Disconnect switch shall be installed within close proximity to one another unless previously approved by People's Energy Cooperative.